

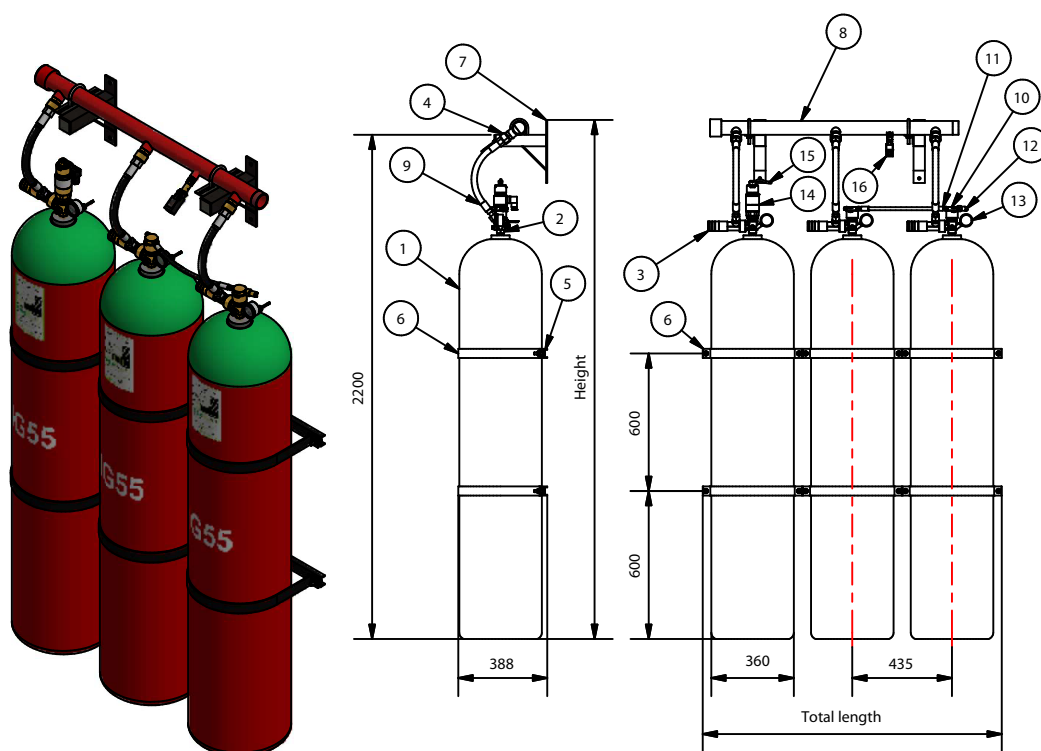
CYLINDERS BATTERY 120 L. SIMPLE ROW IG-55

AEX/IGB140-XX

Specifications							
Reference	Number of cylinders	Load	Total weight*	Collector Output**	Collector reference	Total length	Height
AEX/IGB140-02	2	112.52 kg.	530 kg.	Male NPT 2"	CIG2S2U120140	869 mm.	2265 mm.
AEX/IGB140-03	3	168.78 Kg.	795 Kg.	Male NPT 2"	CIG2S3U120140	1304 mm.	2265 mm.
AEX/IGB140-04	4	225.04 Kg.	1060 kg.	Male NPT 2"	CIG2S4U120140	1739 mm.	2265 mm.
AEX/IGB140-05	5	281.3 Kg.	1325 kg.	Male NPT 2"	CIG2S5U120140	2174 mm.	2265 mm.
AEX/IGB140-06	6	337.56 Kg.	1590 Kg.	Male NPT 2"	CIG2S6U120140	2609 mm.	2265 mm.
AEX/IGB140-07	7	393.82 Kg.	1855 Kg.	Flange 2 1/2"	CIG212S7U120140	3060 mm.	2335 mm.
AEX/IGB140-08	8	450.08 kg.	2120 kg.	Flange 2 1/2"	CIG212S8U120140	3495 mm.	2335 mm.
AEX/IGB140-09	9	506.34 kg.	2385 Kg.	Flange 2 1/2"	CIG212S9U120140	3930 mm.	2335 mm.
AEX/IGB140-10	10	562.6 Kg.	2650 kg.	Flange 3"	CIG3S10U120140	4368 mm.	2355 mm.
AEX/IGB140-11	11	618.86 kg.	2915 Kg.	Flange 3"	CIG3S11U120140	4803 mm.	2355 mm.
AEX/IGB140-12	12	675.12 Kg.	3180 Kg.	Flange 3"	CIG3S121U120140	5238 mm.	2355 mm.
AEX/IGB140-13	13	731.38 kg.	3445 Kg.	Flange 3"	CIG3S13U120140	5673 mm.	2355 mm.

* Weight includes IG-55 load, cylinders, valves, regulators, gauges, actuators, and hoses.

** The collector diameter can vary depending on the hydraulic calculations of each installation. This may have a slight impact on overall dimensions.



Parts List		Parts List	
Part	Reference and Description	Part	Reference and Description
1	AEX_S-IGB140C - Bottle 140 L IG-55	9	AEX-IGL34 - Discharge hose
2	AEX-IGV - Discharge valve	10	AEX-FKAN - Pneumatic actuator
3	AEX-IGR60 - Pressure regulator	11	AEX-IGLM12 - Trip hose
4	AEX-IGVR1 - Retention valve	12	AEX-FKVA - Relief valve
5	HTP(x)I435 - Rear crossbar	13	AEX-IGMCNC300 - Contact manometer
6	H120AP - Arc	14	AEX-IGAE - Electric actuator
7	HSCI1 - Support	15	AEX-FKAM - Manual actuator
8	CIG(x)S(y)U120140 - Collector	16	AEX-CP1 - Pass contactor (optional)



Av. Alfonso Peña Boeuf, 6 y 9
 28022 MADRID - ESPAÑA
 TEL: +34 913121656
 FAX: +34 913295820

DATA SHEET

CYLINDERS BATTERY 140 L. SIMPLE ROW IG-55

Description: Complete cylinder bank, equipped with manual and electric actuator, pressure regulators, contact pressure gauges, hoses and manifold.

Code data sheet:	Group data sheet:	Reference:	Drawn :	Date:	Revised:	Date:	Review:	Format:
AEX-FTC-09-053	IG-55	SEE TABLE	DCM	15/02/2021	ENC	15/02/2021	1	A4